



PRECISION **R**OTATING **E**QUIPMENT

CUSTOM EQUIPMENT FOR THE WATER AND WASTEWATER TREATMENT INDUSTRY

Cage and Shaft Hydraulic Drives

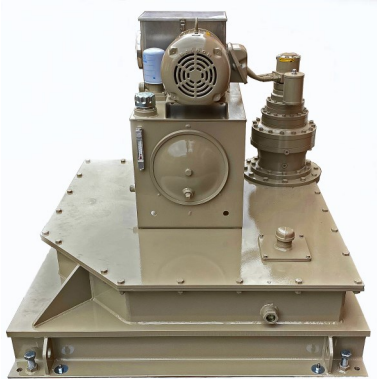


Cage and Shaft Hydraulic Drives

PRE's An electric motor drives a high pressure hydraulic pump system with integral valves, hydraulic motor, oil reservoir, and filter.

Hydraulic Drives use the same robust secondary reducer as their precision main gear/bearing drives and include the same torque measurement display with an easy-to-read torque dial.

An optional 4 - 20 mA signal can be specified which may be sent to the control room for remote monitoring. **PRE** manufactures Hydraulic Drives in both bridge mounted shaft units and column mounted cage units.



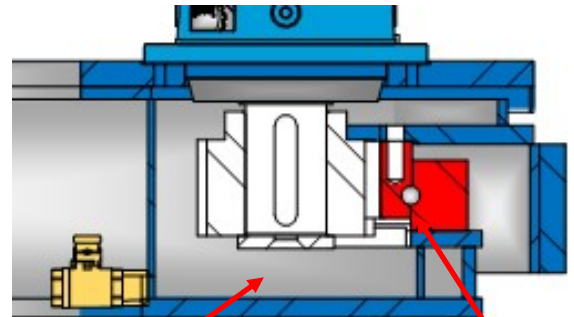
FEATURES

- ◆ Precision main gears and bearings allow for a more robust drive unit as opposed to cast iron strip liner drives, which can have inclusions that will weaken the gearing and housing. Design life for **PRE** Drives is a calculated L10 life in excess of 100 years as the standard.
- ◆ Planetary or Helical speed reducers allow for high efficiency designs, which in turn can reduce power consumption, thus saving the plant money in electricity costs.
- ◆ Direct coupled components eliminate the use of chains and sprockets, which makes maintenance of your drive unit simpler.
- ◆ Elimination of the use of a lower pinion bearing, which is a common failure point in competitors' drive units.
- ◆ Drive units can be provided with torques in excess of 1 million foot-pounds of continuous torque.
- ◆ Available On-site, Turnkey Inspection, Repair, and Replacement Services. Standard components save time and money.
- ◆ 5 year Standard Warranty on Precision Bearing Drives (less motors and paint)



DRIVE DESCRIPTION

- ◆ High torque / low speed, direct coupled gear drive.
- ◆ Totally encased with oil bath.
- ◆ Integrated Precision Bearing / Gear
- ◆ The Drive mounts to the access bridge or column.
- ◆ Design suitable for clarifiers or thickeners in municipal, industrial, power, pulp and paper, mining, and others.
- ◆ Designed for a wide range of torque values and tank sizes.



Condensate
Collection

Precision
Bearing

No Lower Bearing Required

Moment Arm is all but eliminated plus the Reducer has a 1.25 service factor to handle radical loads.